

**VRA**  
**VRB**

***yes we can***

STANDARD LINE



**VIRGINIO NASTRI**

VRA  
VRB

VIRGINIO NASTRI®

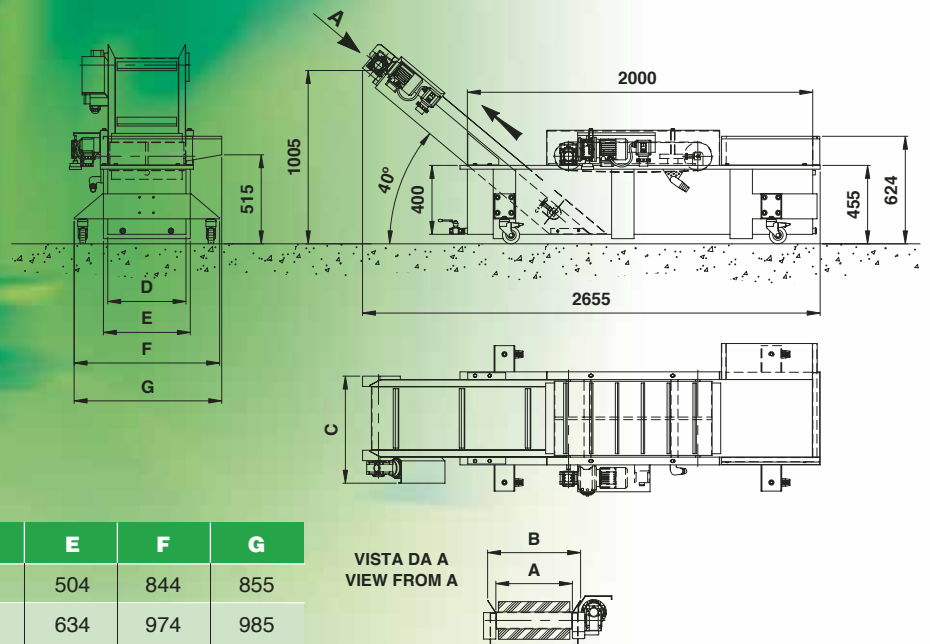
STANDARD LINE



# VRA VRB

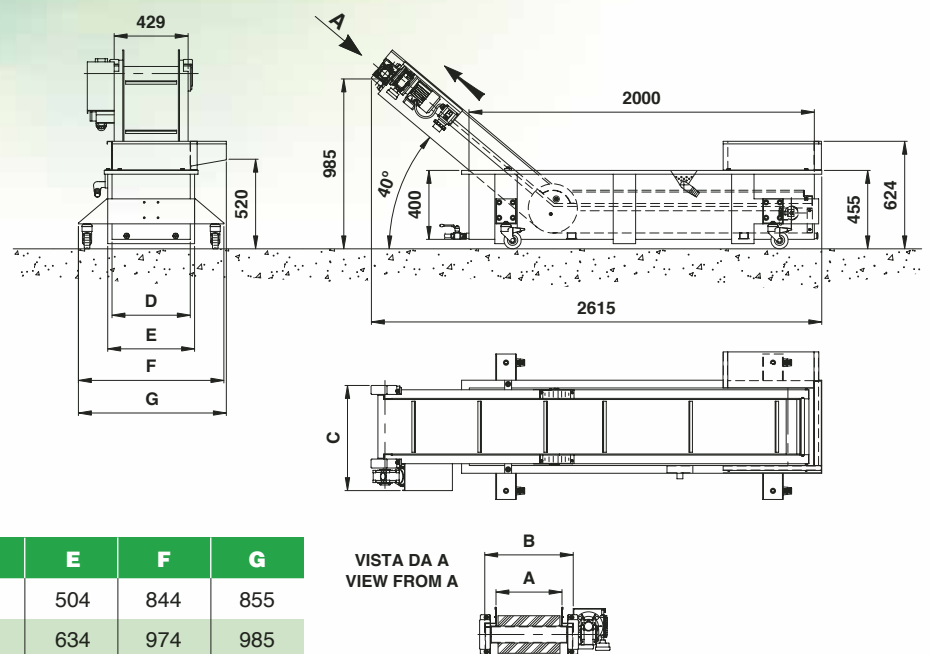
**VIRGINIO NASTRI**

STANDARD LINE



# VRA

MOD.	A	B	C	D	E	F	G
VRA/1	370	450	620	454	504	844	855
VRA/2	500	580	750	584	634	974	985



# VRB

MOD.	A	B	C	D	E	F	G
VRB/1	320	429	610	454	504	844	855
VRB/2	450	559	740	584	634	974	985



**VIRGINIO NASTRI S.R.L.** - Via 2<sup>a</sup> Strada, 161 (Z.I.) - 36071 ARZIGNANO (Vicenza) ITALY  
Tel. +39 0444 450620 - 451520 - Fax +39 0444 671840  
[info@virginionastri.com](mailto:info@virginionastri.com) - [www.virginionastri.com](http://www.virginionastri.com)